

AXLE ORDER FORM

Company Name:

Contact Person:

Phone Number

E-mail Address:

Axle type:

unbraked

braked

rubber suspension

normal

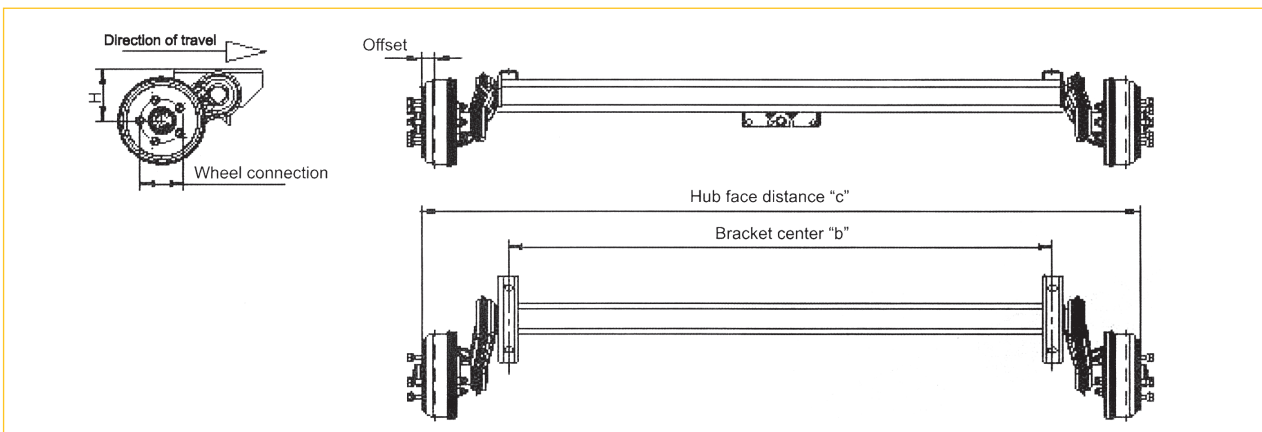
cranked(bended)

rigid (solid)

spiral spring

Shock absorber: yes

no



Please give the next details

Load capacity (kg): "H" mounting size (mm)

"c" size (mm) "b" size (mm)

Wheel PCD:

If you need a special bracket please give us the measurements. If you have a chassis or axle drawing, please send it for us to give you the best axle variant.

 **Treadway**[®]

0800 653 246

» treadway.co.nz » sales@treadway.co.nz

Please give the parameters above to one our sales team to enable us to choose the best variant that is suited to your needs.